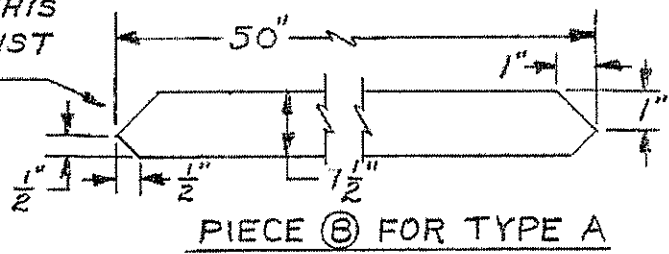
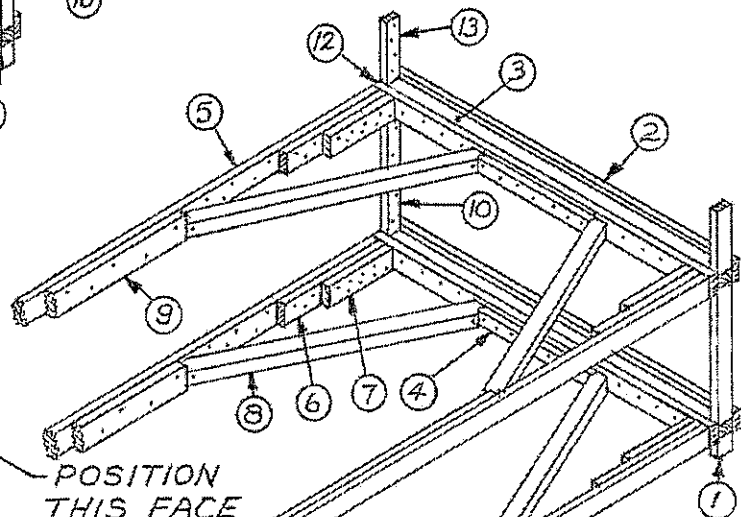


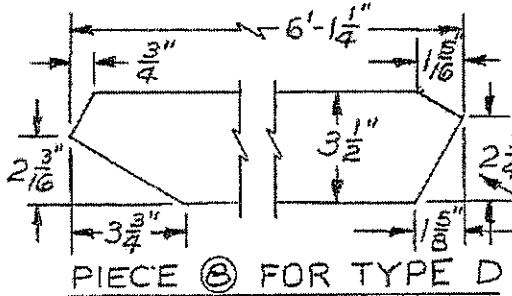
TYPE A
8,000 LBS OR LESS



PIECE (8) FOR TYPE A

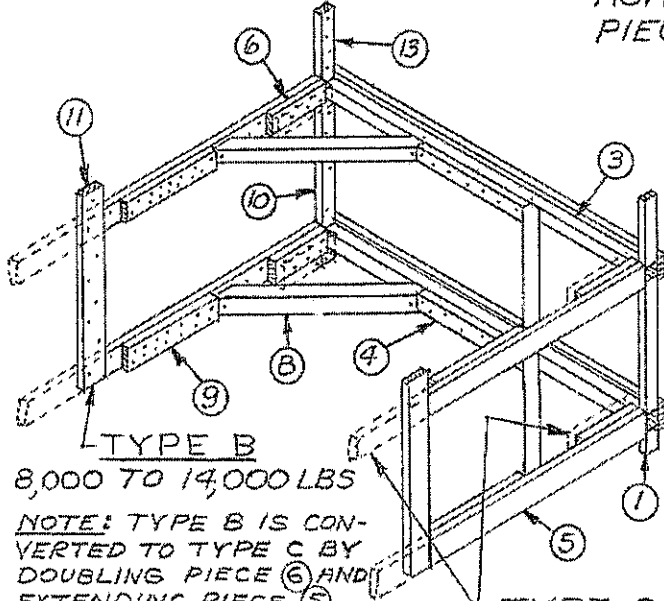


TYPE D
20,000 TO 25,000 LBS



PIECE (8) FOR TYPE D

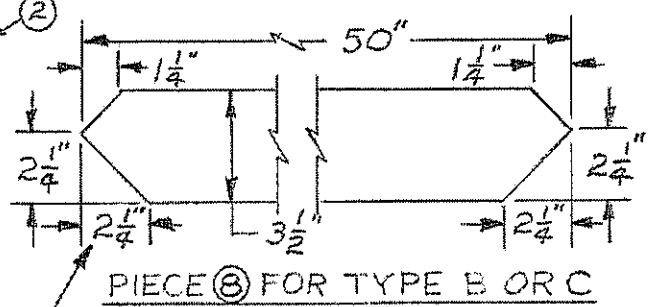
POSITION THIS FACE AGAINST PIECE (2).



TYPE B
8,000 TO 14,000 LBS

NOTE: TYPE B IS CONVERTED TO TYPE C BY DOUBLING PIECE (6) AND EXTENDING PIECE (5) ACROSS DOORWAY TO MEET BRACE IN OPPOSITE END. OMIT PIECE (11)

TYPE C
14,000 TO 20,000 LBS.



PIECE (8) FOR TYPE B OR C

POSITION THIS FACE AGAINST PIECE (3).

PARTIAL-LAYER BRACING

LUMBER AND NAILING DATA						
TYPE BRACE	PIECE NO.	SIZE	NO. REQD	NAIL TO	NAIL	
					NUMBER	SIZE
A-B-C-D	1	2" x 4" x 6"	2	WALL	3	10d
A-B-C-D	2	2" x 6" x CAR WIDTH	2	3	2 PER FT	12d
A-B-C-D	3	4" x 4" x CAR WIDTH	2	-	-	-
A-B-C-D	4	2" x 4" x (SEE NOTE *)	2	3	7	16d
A-B	5	2" x 6" x 72"	4	WALL	16	10d
C-D	5	2" x 6" x EXTEND ACROSS DOOR	4	WALL	40	10d
A-	6	2" x 6" x 12"	4	5	4	16d
B-	6	2" x 6" x 18"	4	5	7	16d
C-	6	2" x 6" x 18"	8	5-6	7	16d
D	6	2" x 6" x 36"	4	5	10	16d
D	7	2" x 6" x 24"	4	6	7	16d
A-	8	2" x 4" (SEE DETAIL)	4	3-5	1 EA END	16d
B-C-	8	4" x 4" (SEE DETAIL)	4	3-5	1 EA END	60d
D	8	4" x 4" (SEE DETAIL)	4	5-12	1 EA END	60d
A-	9	2" x 6" x 24"	4	5	8	16d
B-C	9	2" x 6" x 30"	4	5	14	16d
D	9	2" x 6" x EXTEND ACROSS DOOR	4	5	18	16d
A-B-C-D	10	2" x 4" - GOVERNED BY UNIT HEIGHT	2	WALL	4	10d
B	11	2" x 6" - SLIGHTLY ABOVE LOAD	2	WALL	8	10d
D	12	2" x 6" x CAR WIDTH	2	3	2 PER FT	12d
A-B-C-D	13	2" x 4" x 18", IF CAR HEIGHT PERMITS	2	WALL	4	10d
APPROX BOARD FEET LUMBER PER BRACE (BASED ON 9'-2" WIDE CAR)			TYPE A --- 101 TYPE B --- 125 TYPE C --- 136 TYPE D --- 175			

NOTE *: PIECE NO. 4 IS 28" LONG FOR 8'-6" WIDE CAR, 31" LONG FOR 8'-9" CAR, AND 36" LONG FOR 9'-2" CAR.

CAUTION:

PIECES MARKED ①, ②, ③, ⑩, ⑪, ⑫ AND ⑬ MUST BE SUPPORTED AT THE SIDES OF A CAR BY A CAR SIDE WALL. IT IS ALRIGHT FOR THE END OF A DIAGONAL BRACE TO BEAR IN FRONT OF A DOOR OPENING; HOWEVER, THE ADJACENT PIECE MARKED ⑤ MUST BE DOUBLED AND EXTENDED ACROSS AND FAR ENOUGH PAST THE DOOR OPENING TO PROVIDE FOR THE SPECIFIED NAILING.

PARTIAL-LAYER BRACING